

Specifications:

- Video In: Available in 4,8,12,16 channel variants with 4 channels of IP
- Video Out: Real-time video on all channels simultaneous
- 1x VGA output
- Audio In/Out: 1 Audio Channel per Camera
- Compression: H.264 Video compression (MPEG4 Part 10)
- Display/Record Speed: 25/30 FPS (PAL/NTSC) per channel
- Alarm In/Out: 8 Alarm inputs 8 Alarm outputs (Optional Box)
- Picture Quality: 5 Levels
- Recording Mode: Continuous, Overlay, Timer, Alarm, Motion
- Motion Detection: 6 Levels
- Internal HDD: 80-160GB internal
- External HDD: Hot swap external storage USB 2.0 ports - Unlimited
- SSD: Type II Compact Flash™ slot x 1
- Expansion: PCMCIA slot x 2
- Watchdog Timer: Generates a time-out system reset, setting via software
- Functions: Search, Alarm, Time/Date, Smart Search
- Network: 10/100 M RJ-45, TCP/IP
- Inputs:
 1. 4x USB 2.0
 2. 4x RS232 ports (GPRS/GSM/Dial-up)
 3. 1x Keyboard input for proprietary keyboard/matrix switcher
 4. 1x 10/100 Ethernet port
- Vehicle Sensor (optional): Brake, Stop, Warning, Left, Right, Sensor
- Power: On/Off switch, System shutdown delay / System power on via vehicle ignition

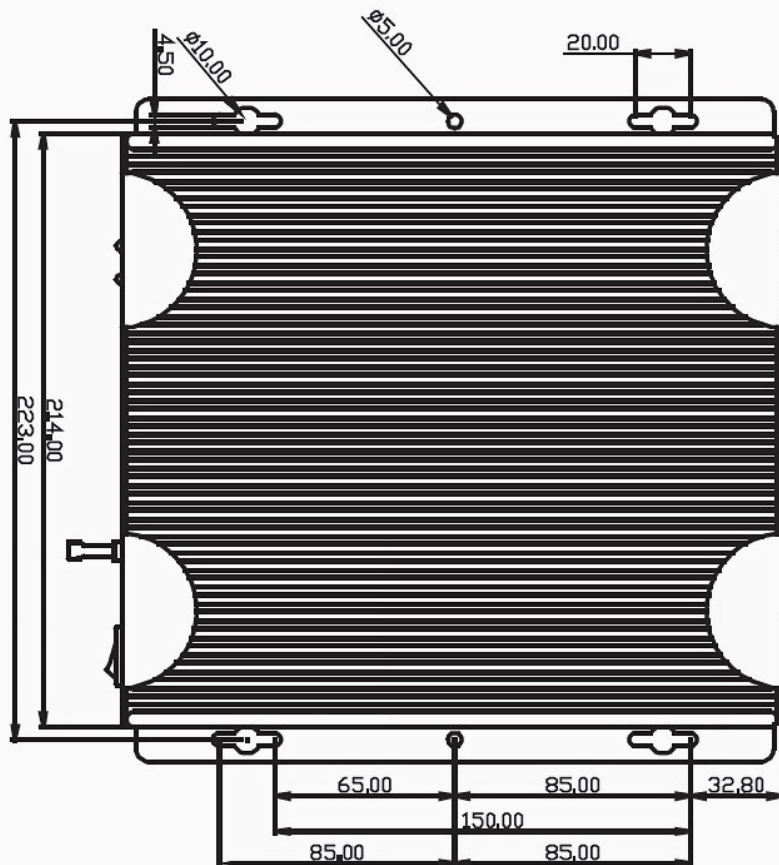
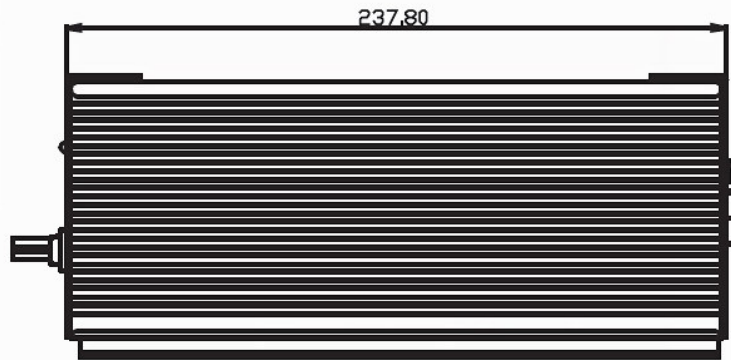
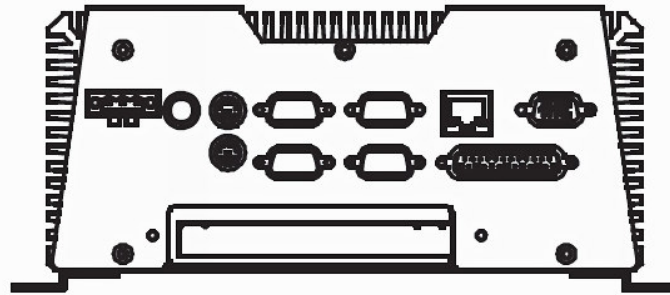
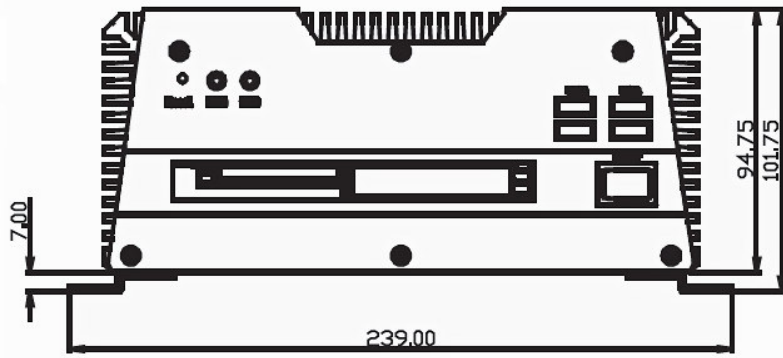
PHYSICAL / POWER Specifications:

- Power Supply:
 - DC Input -- Internal DC-DC Converter (Default) Input voltage: 9V DC ~ 30V DC
 - AC Input -- External Power Adapter (Optional) Input voltage: 100V AC ~ 240V AC @ 50 ~ 60Hz
- Construction: Rugged Aluminum Alloy chassis
- Color: Mustard
- Dimensions:
 - 214mm (W) x 94.75mm (H) x 237.8mm (D) - 4, 8 Channels
 - 214mm (W) x 117.5mm (H) x 237.8mm (D) - 12, 16 Channels
- Carton Dimension: 336mm x 294mm x 260mm
- Net Weight:
 - 5.63kg - 1 PCI
 - 6.21kg - 2 PCI
- Operation Temperature:
 - 5°F ~ 131°F (-15°C ~ 55°C)(P-M 1.6GHz,CFD)
 - 5°F ~ 122°F (-15°C ~ 50°C)(P-M 1.6GHz,Automotive HDD)
 - 5°F ~ 113°F (-15°C ~ 45°C)(P-M 1.6GHz,Normal HDD)
 - **Optional environmental enclosure high temperature resilience up to +85C**
- Operation Humidity: 5~95% @ 40°C, non-condensing
- Vibration:
 - 1 grms / 5 ~ 500Hz / random operation (Internal Hard Disk Drive active Module)
 - 20 g peak acceleration (11 msec. duration) (HDD Module)
- Shock:
 - 50 g peak acceleration (11 msec. duration)(CFD)
 - 20 g peak acceleration (11 msec. duration) (HDD Module)
- EMC: CE/FCC class B

Models and Capabilities

- **Professional Quality Video**
 - 4-16 recording video channels (DVD quality) with synchronized audio on all channels (MP3 quality) PLUS 4 channels of IP video/audio
 - Real Time high-speed recording (30 fps per channel) Video Frame Rate adjustable from 1 fps to 30 fps per channel, see below specifications for further details
 - Eight (8) models available
- **FBOX-S04**
 - **Standard Resolution Model:** 4-Channel PC based, Audio/video, 4x CIF @ 30fps each, 4x DCIF @ 15fps each, 4x 4CIF (D1) @ 7.5fps each, with 80GB HDD (upgradeable to 160GB)
 - **High Resolution Model:** 4-Channel, Audio/video, 4 x 4CIF@30fps each, 80GB (upgradeable to 160GB)
- **FBOX-S08**
 - **Standard Resolution Model:** 8-Channels PC based, Audio/Video, 8x CIF @ 30fps each, 8x DCIF @ 15fps each, 8x 4CIF (D1) @ 7.5fps each, 4 x 4CIF (D1) @ 30fps each, with 80GB HDD (upgradeable to 160GB)
 - **High Resolution Model:** 8-Channels, Audio/Video, 8 x 4CIF@30fps each, 120GB (upgradeable to 160GB)
- **FBOX-S12**
 - **Standard Resolution Model:** 12-Channels, Audio/Video, 12x CIF @ 30fps each, 12x CIF @ 15fps each, 12x 4CIF (D1) @ 7.5fps each, 6x 4CIF (D1) @ 30fps each, 120GB HDD (upgradeable to 160GB)
 - **High Resolution Model:** 12-Channels, Audio/Video, 12 x 4CIF@30fps each, 120GB (upgradeable to 160GB)
- **FBOX-S16**
 - **Standard Resolution Model:** 16-Channels, Audio/Video, 16x CIF @ 30fps each, 16x DCIF @ 15fps each, 16x 4CIF @ 7.5fps each, 8 x 4CIF (D1) @ 30fps each, 120GB (upgradeable to 160GB)
 - **High Resolution Model:** 16-Channels, Audio/Video, 16 x 4CIF@30fps each, 120GB (upgradeable to 160GB)
- Supports four levels of video resolutions CIF(352x240), 2CIF(704x240), DCIF(528x320), 4CIF(704x480, Full D1), see above for specifications
- **Flexible Video Recording Mode**
 - Continuous Mode: Continuously record video files to local Hard Drive
 - Trigger by Sensor Mode: Record video files only when any specific programmable sensors trigger
 - Trigger by Motion Mode: Record video files only when motion is detected by Camera. Six levels of motion sensitivity are available
 - Trigger by Sensor/Motion: Record video files only when either sensors or Motions are triggered

Dimensions:



Optional USB Hold Downs for external USB HDDs:

