

WECUVF

Lens Finder / View Finder

The View Finder is an optical tool to determine the (FOV) Field of View of a lens.

Dimensions: 51 dia x 122mm (2" dia x 4.8")

APPLICATIONS

1. To determine the FOV of an existing lens.

Select the correct camera format scale and then rotate the View Finder barrel until the dot coincides with the lens focal length.

The object viewed through the finder is the same as seen by the camera.

Example: In the case when the camera format is 2/3" and the focal length of the lens is 12.5mm, adjust the barrel as shown.

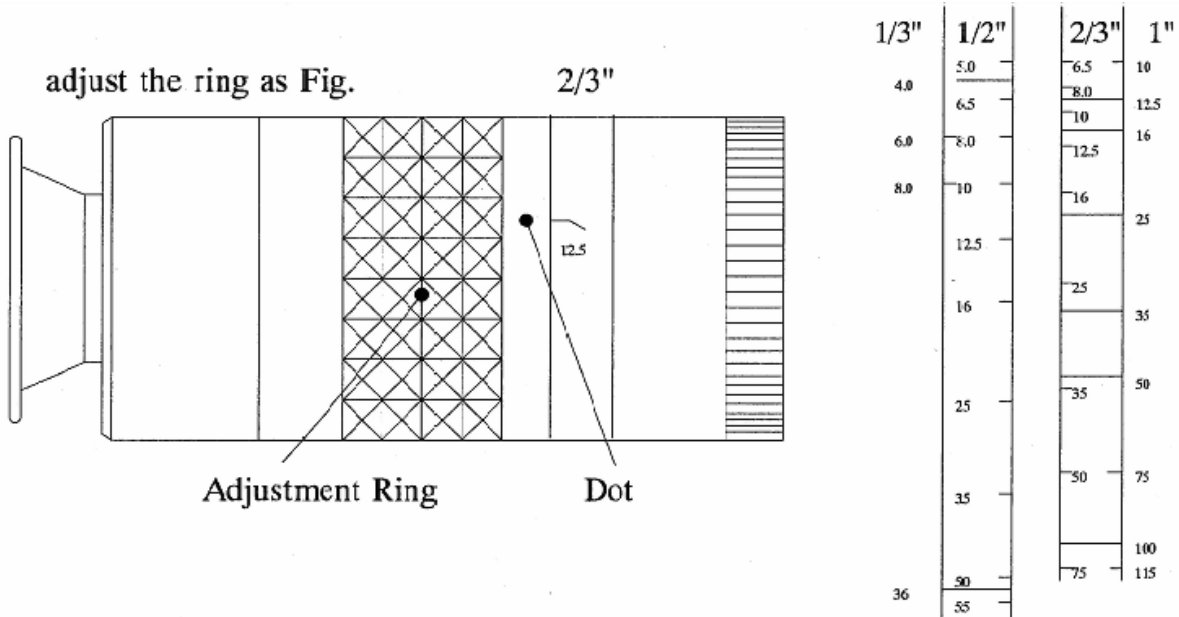


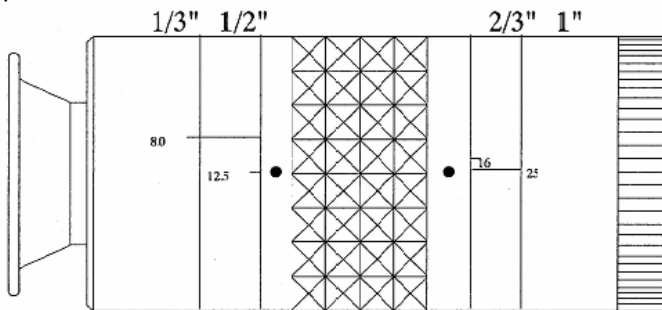
Table on the Barrel

2. To determine what focal length lens to use.

First, look at the object through the View Finder's window, then turn the barrel to find the desired FOV.

Next, using the correct camera format scale, read the lens focal length which coincides with the dot on the barrel.

Example:



Camera Format	Recomend Focal Length
1" Inch	25.0 mm
2/3" Inch	16.0 mm
1/2" Inch	12.5 mm
1/3" Inch	8.0 mm